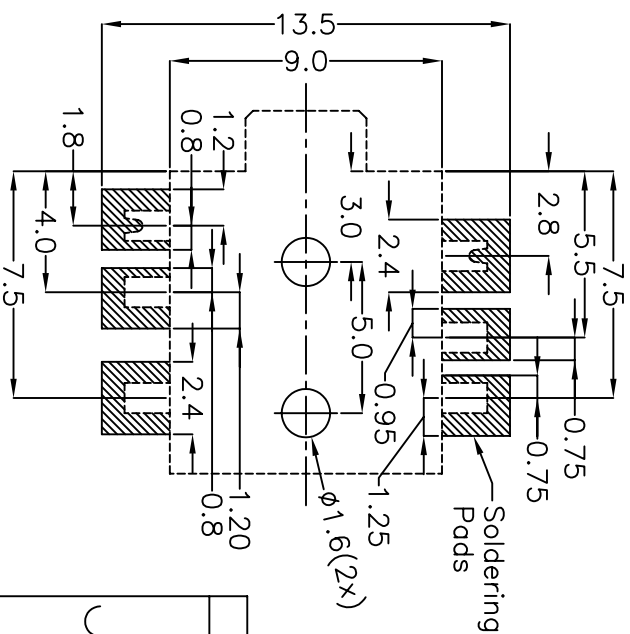
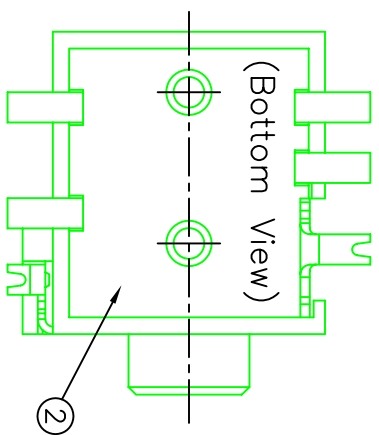
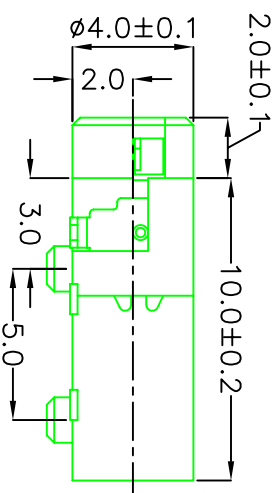
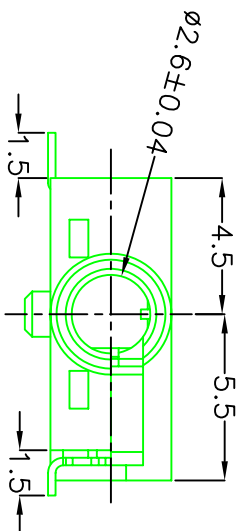
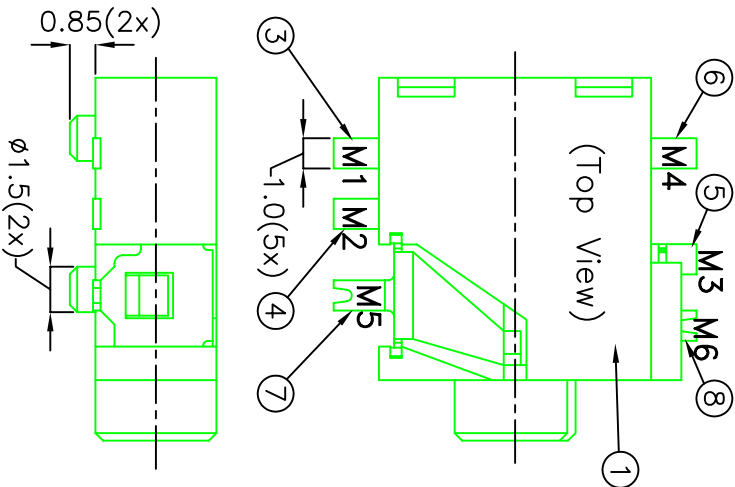
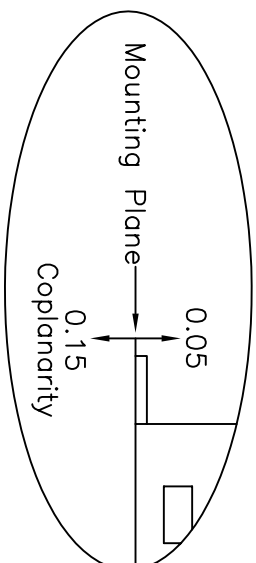


**Specifications**  
 Rated Voltage: 16VDC  
 Rated Current: 300mA  
 Contact Resistance: 100 mOHMS or less under all conditions including after life testing.  
 Insulation Resistance: 100 M OHMS or greater at 500VDC  
 Voltage: 250V AC RMS for 1 Minute  
 Life: 5,000 cycles min.



Pad Layout  
 Top View

|   |                      |             |       |                |
|---|----------------------|-------------|-------|----------------|
| 8 | Ground <M6>          | PBS         |       | Gold Flash 30T |
| 7 | Signal <M5>          | PBS         |       | Gold Flash 30T |
| 6 | Tip Contact <M4>     | Ti-Cu Alloy |       | Gold Flash 20T |
| 5 | Shunt (Tip) <M3>     | Brass       |       | Gold Flash 30T |
| 4 | Shunt (Ring) <M2>    | Brass       |       | Gold Flash 30T |
| 3 | Ring Contact <M1>    | Ti-Cu Alloy |       | Gold Flash 20T |
| 2 | Cover                | PY6T        | Black | UL94V-0 Rated  |
| 1 | Plastic Housing <P1> | Polyamide   | Black | UL94V-0 Rated  |
|   | Item Term            | Material    | Color | Plating Remark |



9615 SW Allen, Suite 103  
 Beaverton, OR 97005  
 Phone: (503) 643-4899  
 800-275-4899  
 Fax: (503) 643-6129  
 Website: [www.cuistack.com](http://www.cuistack.com)

TITLE: SMT Audio Jack w/4 Conductors 2.5mm

PART NO. SJ-42516-SMT UNITS: Millimeters

DRAWN BY: Todd R. White APPROVED BY: SCALE: 4x